

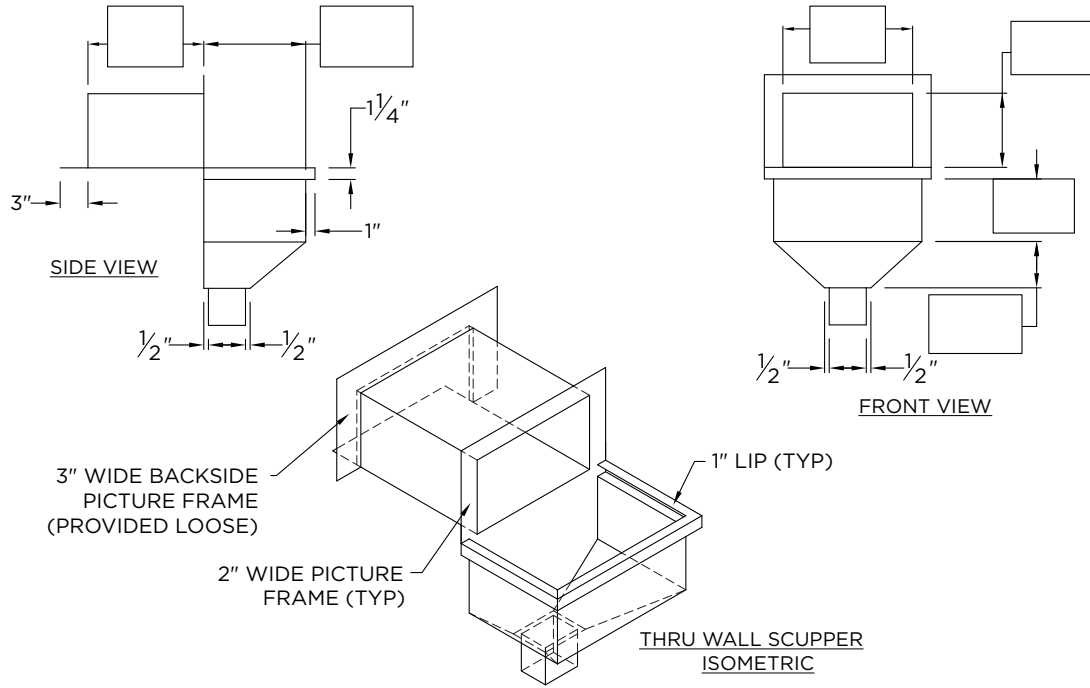


THRU-WALL SCUPPER

STYLE 3 WELDED DROPPED COLLECTOR BOX

NOTES

- Product should be installed per provided installation instructions



PROJECT INFO

Project Name: _____

Architect: _____

Roofing Contractor: _____

Project Type:

By selecting this box you have verified and confirmed that dimensions, sizes, and quantities are correct. All products will be installed in strict accordance with printed instructions.

Date: _____

Elevate
 26 Century Blvd.
 Suite 205
 Nashville, TN 37214
 Contact your local Elevate representative.

SHT# 1 of 1
 DATE: 04/07/23
 DRN BY: JJC
 CKD BY: MM
 DWG#: 13018-19875
 REV: A

DIMENSIONS

PLEASE FILL OUT DIMENSIONS ON DRAWING

MATERIAL

.063" Aluminum

Color: _____

Finish: _____

QUANTITIES

_____ Amount Required

Downspout Size _____ x _____

(Quantities Over 15 Require Extended Lead Time Due to Post Coating Process)