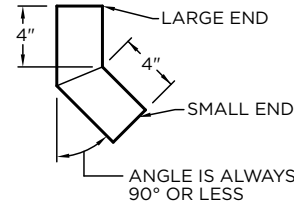
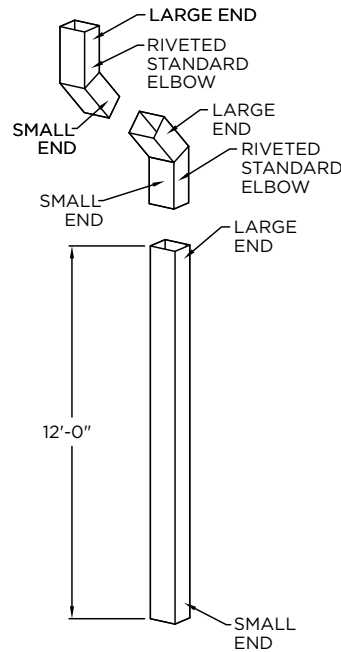
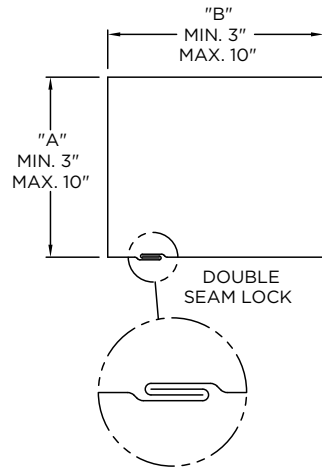


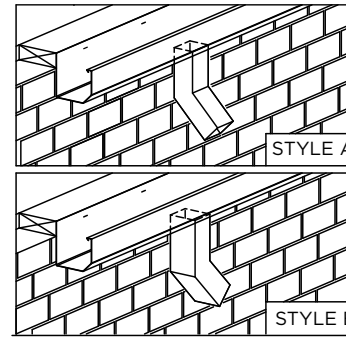
## BOX DOWNSPOUT CLOSED FACED

### NOTES

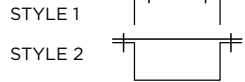
- Downspout should be 9/16" smaller than the bottom of the gutter
- Outlet should be 1/8" smaller than the size of the downspout
- Product should be installed per provided installation instructions



STANDARD ELBOW



**DOWNSPOUT STRAPS**  
(SELECT STYLE BELOW, IF STYLE IS NOT SELECTED STYLE 2 WILL BE PROVIDED)



### DIMENSIONS

Downspout Size \_\_\_\_\_ x \_\_\_\_\_  
"A" "B"

### MATERIAL

- 24 Ga. Galv. Steel
  - 22 Ga. Galv. Steel
  - .040" Aluminum
  - .050" Aluminum
  - .063" Aluminum
  - OTHER: \_\_\_\_\_
- Color: \_\_\_\_\_  
Finish: \_\_\_\_\_

### QUANTITIES

- \_\_\_\_\_ Lineal Feet (12'-0" Lengths)
- \_\_\_\_\_ Outlets
- \_\_\_\_\_ Standard Elbows (\_\_\_\_°)  Style A  Style B
- \_\_\_\_\_ Standard Elbows (\_\_\_\_°)  Style A  Style B
- Downspout Straps  Style 1  Style 2

### PROJECT INFO

Project Name: \_\_\_\_\_

Architect: \_\_\_\_\_

Roofing Contractor: \_\_\_\_\_

#### Project Type:

By selecting this box you have verified and confirmed that dimensions, sizes, and quantities are correct. All products will be installed in strict accordance with printed instructions.

Date: \_\_\_\_\_

**Hickman Edge Systems**  
4 Commerce Way  
Arden, NC 28704  
Phone: 828-676-1700  
www.hickmanedgesystems.com

SHT# 1 of 1

DATE: 10/26/21

DRN BY: JJC

CKD BY: MM

DWG #: 64013-36128

REV: A