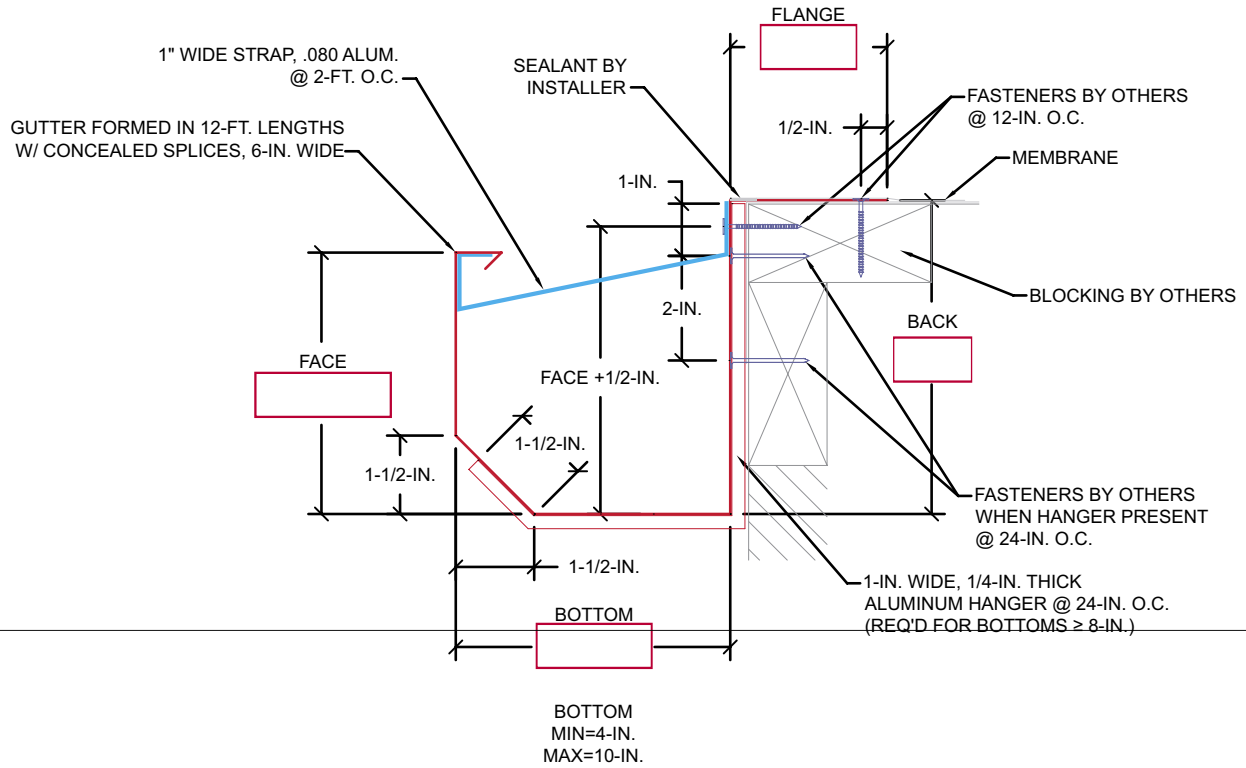


Chamfer Face Gutter with Roof Flange.



PLEASE CONTACT US FOR MASONRY APPLICATIONS.

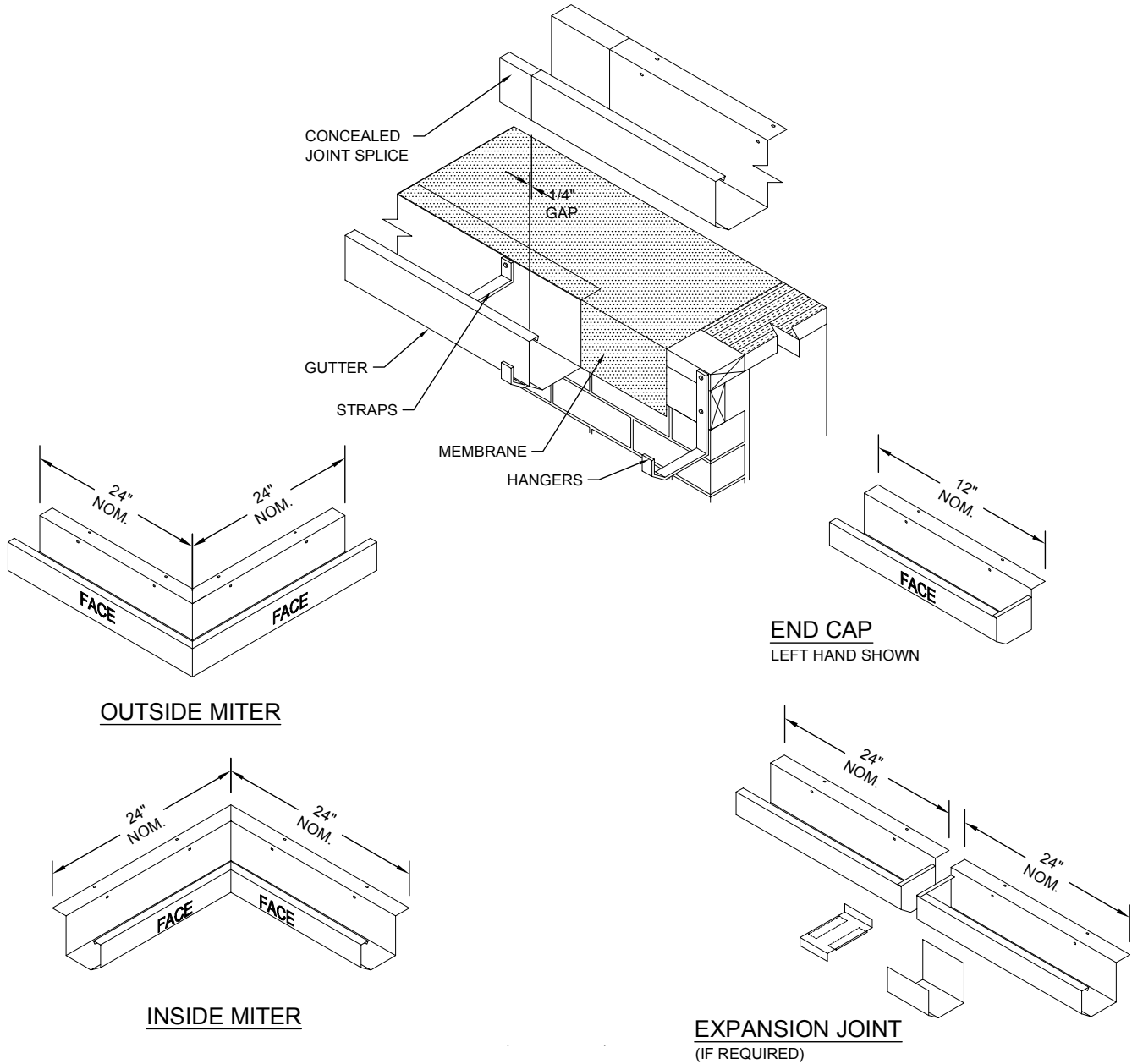
CONTACT US FOR APPROPRIATE RECOMMENDATIONS NEEDED TO MEET/EXCEED ANSI/SPRI/GT-1 DESIGN CRITERIA

QUANTITY	CAP MATERIAL	THICKNESS	ACCESSORY TYPE	CAP FINISH
<input type="text"/> Total LF (12' pcs) <input type="text"/> Miters (<input type="text"/> Outside, <input type="text"/> Inside) <input type="text"/> End Caps (<input type="text"/> Left, <input type="text"/> Right) <input type="text"/> Expansion Joints (End Caps) <input type="text"/> End Cap Inserts (<input type="text"/> Left, <input type="text"/> Right) <input type="text"/> Expansion Joint Inserts <input type="text"/> Radius LF (5'-0" pcs) <input type="text"/> Radius to Straight Miter <input type="text"/> Radius End Caps	Aluminum Galvanized Stainless Steel	0.040 0.050 0.063 0.080 24 Ga. 22 Ga.	Welded MetaLok HANGERS Painted Mill None	Mill Finish Prefinished Kynar Premium Prefinished Kynar Post Finished Kynar Prefinished Anodized Post Finished Anodized
	COLOR			

<p>APPROVALS: Contact manufacturer for verification of test report data on your project.</p> <div style="border: 1px solid black; padding: 5px; width: fit-content; margin: 10px auto;">ANSI/SPRI/GT-1/Tested</div>	<p>CUSTOMER APPROVAL Authorized Customer Signature</p> <p>Approved for Fabrication Approved with Changes Not Approved</p>	
	<p>Job Name:</p> <p>Customer:</p> <p>Representative:</p>	<p>Job #:</p> <p>Project Location:</p> <p>Architect:</p>

Chamfer Face Gutter with Roof Flange.

ORDER SPECIFICATION FORM



Standard gutter miter leg lengths are 24" Nominal
 Standard gutter miter angle is 90°
 For special miter requirements, attach sketches or consult manufacturer for assistance.