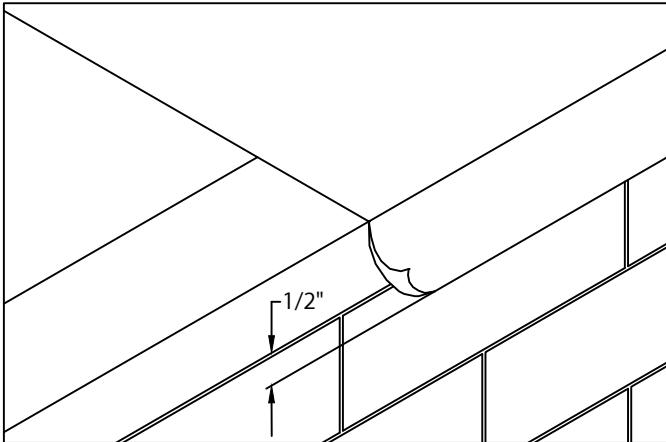


# CREATIVE DESIGN BULLNOSE FASCIA

FULLY ADHERED OR MECHANICALLY ATTACHED SINGLE-PLY VERSION

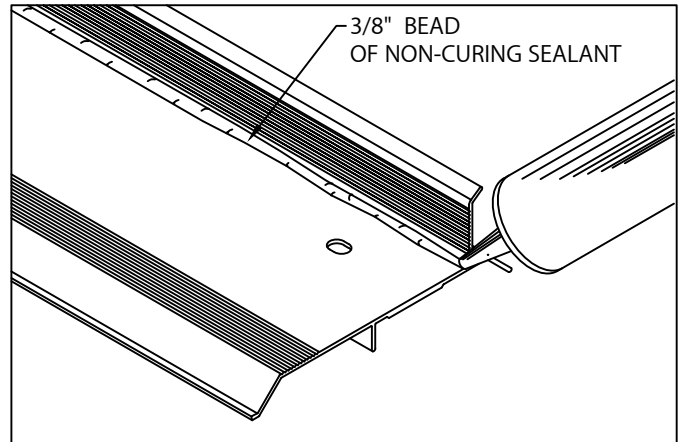
## INSTALLATION INSTRUCTIONS



### 1. Roof Membrane

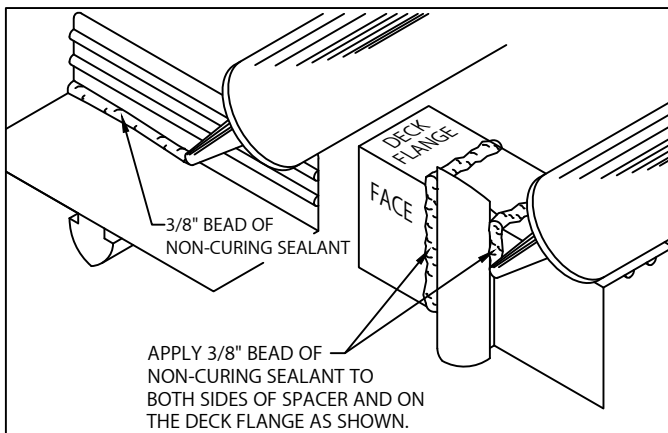
Position membrane over the roof edge and down outside face of wall, covering treated wood nailer(s) completely. Allow 1/2" excess membrane.

**IMPORTANT!** Outside edge of treated wood nailer(s) (minimum 2 x 4) shall be aligned flush with or extend slightly past outermost edge of wall.



### 2. Miter & Scupper Anchor Bar (Preparation)

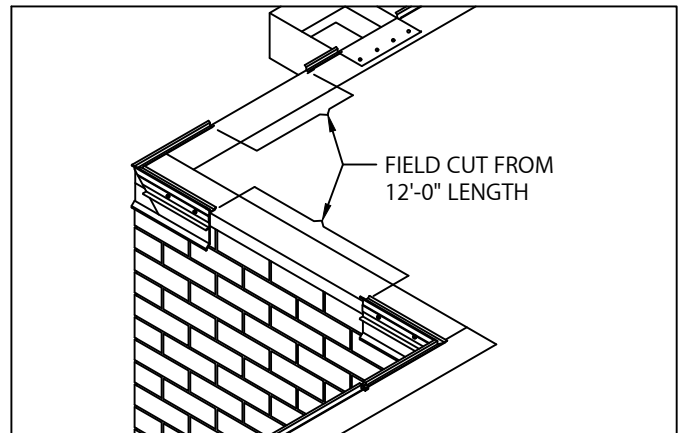
Lay miters and scuppers on the deck with outside face down. Be sure aluminum anchor bar is clean and free of dirt or dust. Apply a heavy 3/8" bead of non-curing sealant to the right angle inter-section of the deck flange and back of anchor bar as shown. Application of sealant is required along the full length of each miter anchor bar.



### 3. Anchor Bar Splice Plates

Apply non-curing sealant to each splice plate as shown and described in STEP 2. Ensure the sealant is placed into the grooves along the spacer.

**CAUTION!** Installers shall wear protective eye wear to prevent injury. Do not over-drive fasteners, as stripping can occur at high driver torque. Recommended driving tool: 600 - 800 rpm electric drill equipped with depth-sensing nose-piece to prevent driving and stripout. Do not use impact type tool.



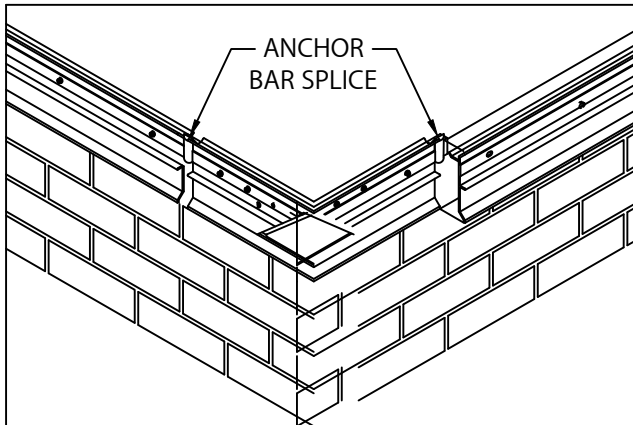
### 4. Miter Bar Installation

Fold roofing membrane at corners and install miters using fasteners and driver bit provided by manufacturer. Fasten anchor bar corners to nailer with one splice plate under each end of corner. The anchor bar must insert into the grooves of the anchor bar splice plate. Next locate and install scuppers with sealant, fasteners and anchor bar splice plates.

# CREATIVE DESIGN BULLNOSE FASCIA

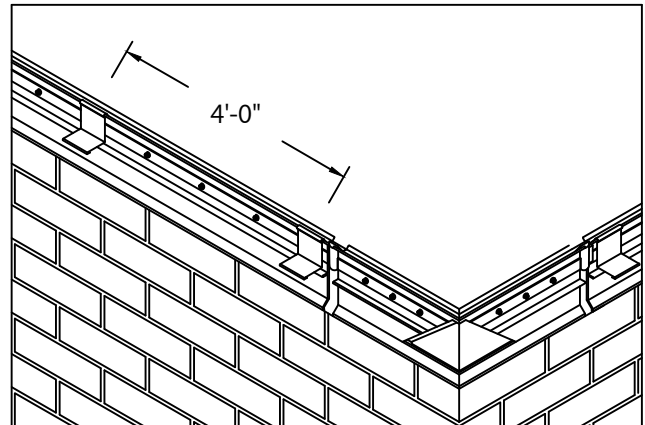
FULLY ADHERED OR MECHANICALLY ATTACHED SINGLE-PLY VERSION

INSTALLATION INSTRUCTIONS



## 5. Anchor Bar (Installation)

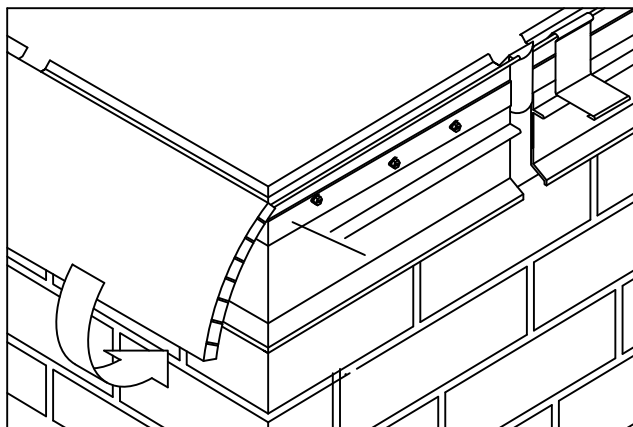
Position 12'-0" sections of anchor bar with applied non-curing sealant as shown in steps 2 & 3 overlapping anchor splice plate. Allow 3/8" space between anchor bars. Install anchor bar splice plate at other end of 12'-0" bar. Fasten anchor bar 12" O.C. through slots using provided fasteners. The anchor bars must insert into the grooves of the anchor bar splice plates. Field cut sections as necessary.



## 6. Support Clips

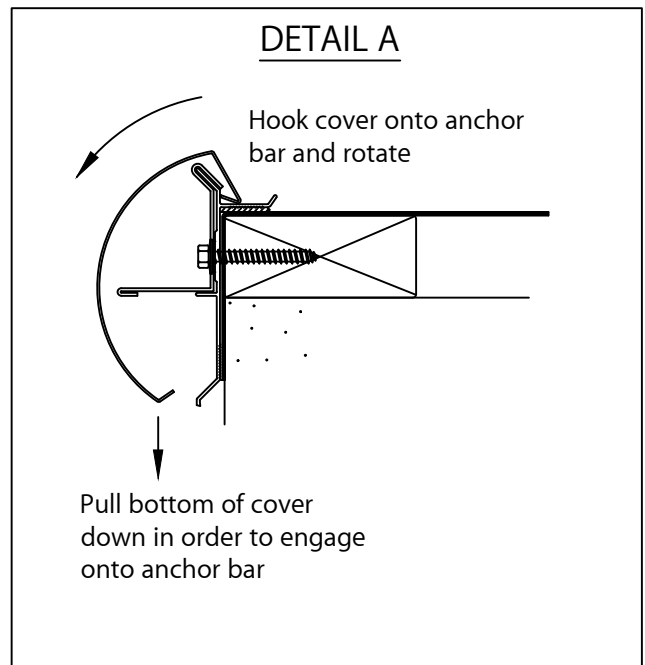
At miter sections, position support clips over anchor bar 8" from corner. along straight runs, position support clips at each end of the 12'-0" anchor and continue to position support clips at 4'-0" O.C.

**IMPORTANT!** Be sure to remove protective plastic film prior to installing each fascia section.



## 7. Miter Cover (Right Half)

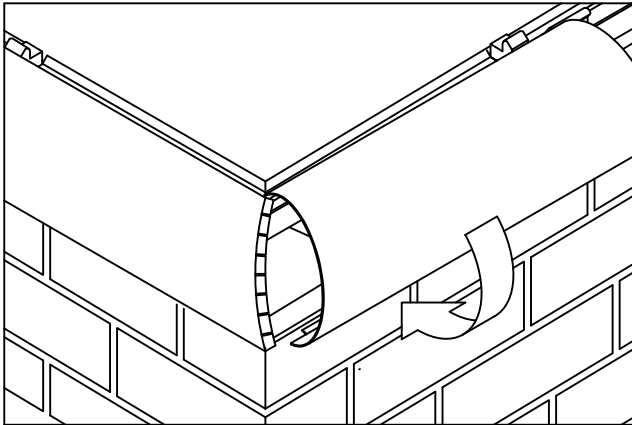
Install right (tabbed) half of miter cover first. Place miter cover half over anchor bar with the face angled up to allow enough clearance past the support clip. Rotate cover into place. Engage cover to anchor bar by pulling bottom downward and using inward pressure with palm of hand. Pulling the bottom of the cover down is necessary with any cover not preceded by a lap joint (See Detail A).



# CREATIVE DESIGN BULLNOSE FASCIA

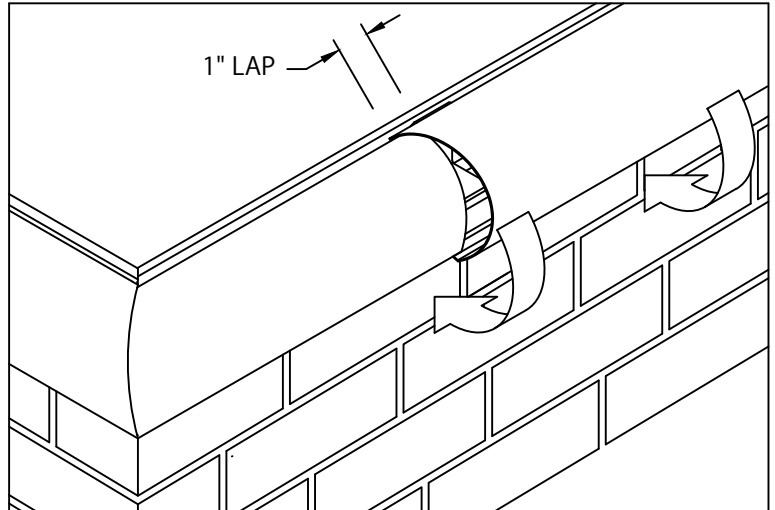
FULLY ADHERED OR MECHANICALLY ATTACHED SINGLE-PLY VERSION

INSTALLATION INSTRUCTIONS



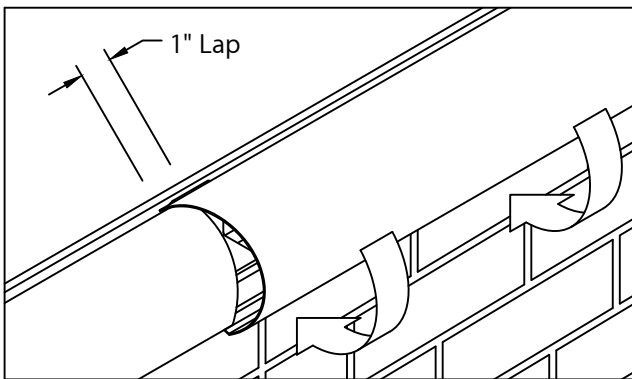
## 8. Miter Cover (Left Half)

Next, install left half of miter cover. Place miter cover half over anchor bar with the face angled up to allow enough clearance past the support clip. Rotate cover into place. Engage cover to anchor bar by pulling bottom downward and using inward pressure with palm of hand. Pulling the bottom of the cover down is necessary with any cover not preceded by a lap joint (See Detail A).



## 9. Miter & Fascia Cover Transition

Next, after miter is installed, install the first section of fascia cover. Rotate cover into place, lapping 1". Engage cover to anchor bar by applying slight downward and inward pressure with palm of hand.



## 10. Fascia Covers-Completion

Place 4'-0" fascia cover over anchor bar with the face angled up to allow enough clearance past the support clip. Rotate cover into place. Engage cover to anchor bar by applying slight downward and inward pressure with palm of hand. Continue installation by overlapping preceding cover approximately 1" at notches provided. Fascia covers shall be installed from right to left as seen from rooftop. Where field cutting is necessary, use a fine tooth hacksaw.

**IMPORTANT!** Be sure to remove protective plastic film prior to installing each fascia section.

