

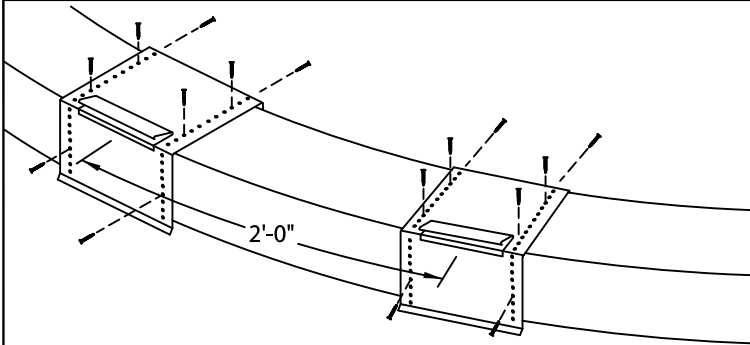


PERMASNAP CONTINUOUS CLEAT RADIUS COPING

TO BE USED WITH CONTINUOUS CLEAT COPING, TAPERED VERSION - 2'-0" O.C.

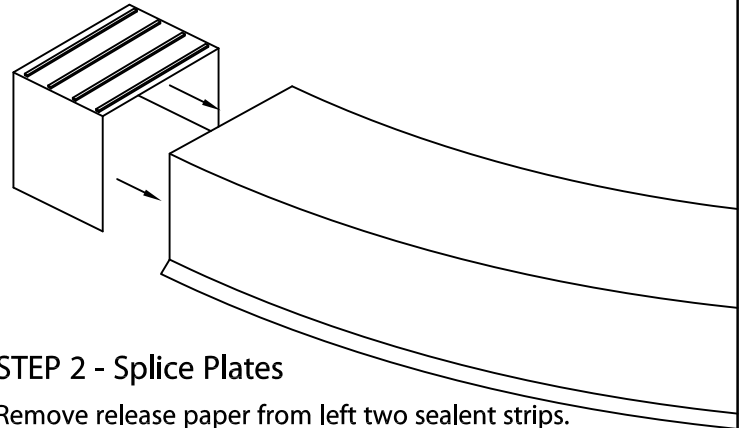
INSTALLATION INSTRUCTIONS

NOTE: Position roof membrane on top of the wall covering the treated wood nailer(s) or substrate completely. Allow 1/2" minimum excess membrane beyond nailer where applicable. NRCA Requirement. Membrane not shown for clarity.



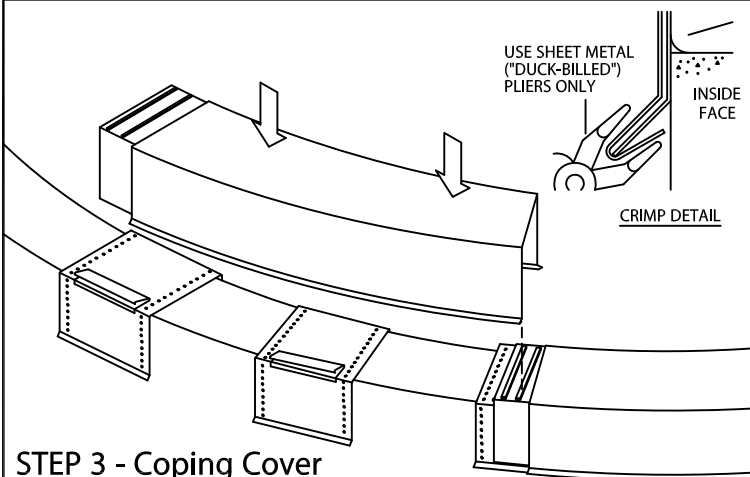
STEP 1 - Anchor Clips

Locate and fasten anchor clips at 2'-0" O.C. with provided fasteners for substrate (see detail A).



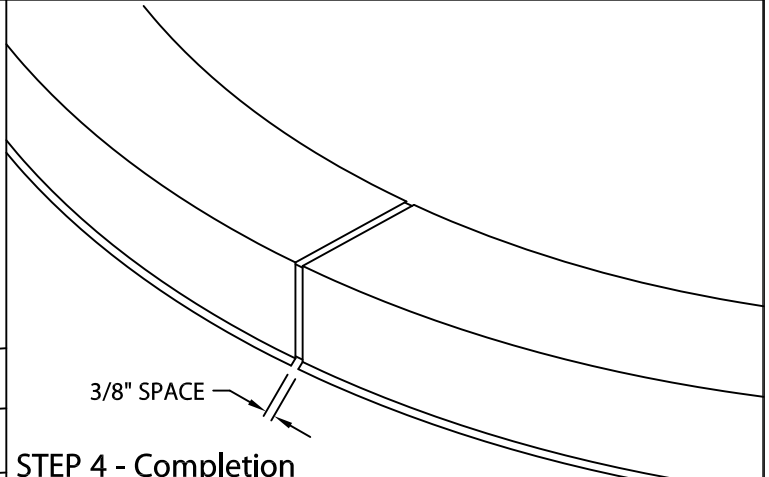
STEP 2 - Splice Plates

Remove release paper from left two sealant strips. Insert splice plate into the right end of radius section.



STEP 3 - Coping Cover

Remove release paper from right two factory applied sealant strips on the splice plate in the coping section. Install 4'-0" radius coping sections from left to right. Place coping into position and press downward until snap-lock occurs. Field crimp inside drip at all anchor clips.

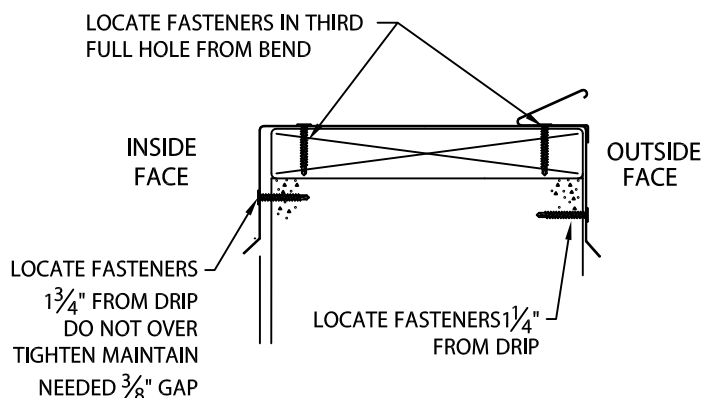


STEP 4 - Completion

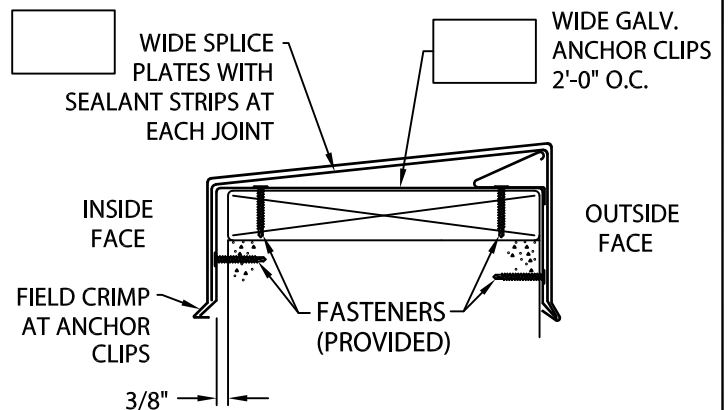
Continue installing coping with a 3/8" space at splice joints to allow for thermal expansion. Field cut where necessary using a fine tooth hacksaw or snips.

NOTE: REMOVE PROTECTIVE FILM IMMEDIATELY.

ANCHOR CLIP FASTENING-DETAIL A



TYPICAL COPING INSTALLATION



Hickman Edge Systems
4 Commerce Way
Arden, NC 28704
Phone: 828-676-1700
www.hickmanedgesystems.com

DATE: 08/24/22
DRN BY: MLM
CKD BY: MM

SHT.# ___ OF ___
DWG# 64111-39348

A