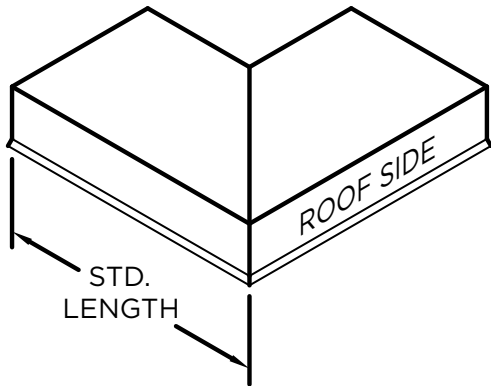
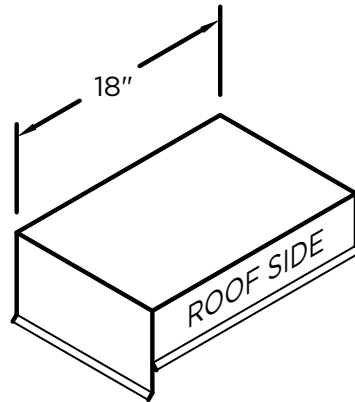


OUTSIDE MITER

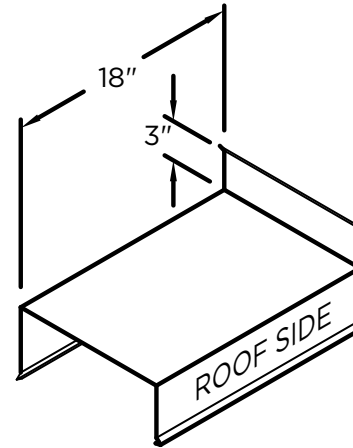


INSIDE MITER

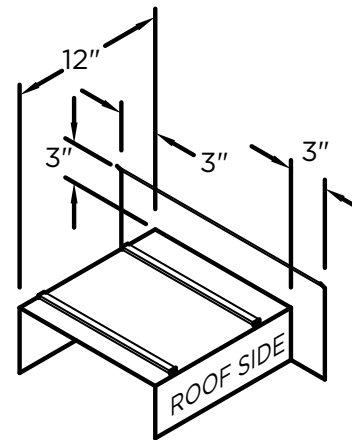
MITER STANDARD LEG LENGTH:  
 $WALL\ SIZE + 9\frac{5}{8}'' = LENGTH$



ENDCAP  
 (LEFT HAND SHOWN)



ENDWALL FLASHING  
COPING VERSION  
 (RIGHT HAND SHOWN)



ENDWALL FLASHING  
SPLICE PLATE VERSION  
 (RIGHT HAND SHOWN)  
 (AVAILABLE ONLY IN  
 .040" WELDED, PAINTED  
 TO MATCH COPING)

**NOTES**

Additional accessories are available including:

- Transition Miters
- Straight Transition Miters
- "T" Miters
- "Z" Miters
- Step-up Miters
- Peak / Valley Miters
- Pilaster Caps
- Radius Coping
- Arched Coping

For additional accessory requirements, attach sketches or call manufacturer for assistance.

SHT# 2 of 2

DATE: 05/31/23

DRN BY: JJC

CKD BY: MM

DWG #: 13011-19320

REV: I

**Elevate**

26 Century Blvd.  
 Suite 205  
 Nashville, TN 37214  
 Contact your local  
 Elevate representative.