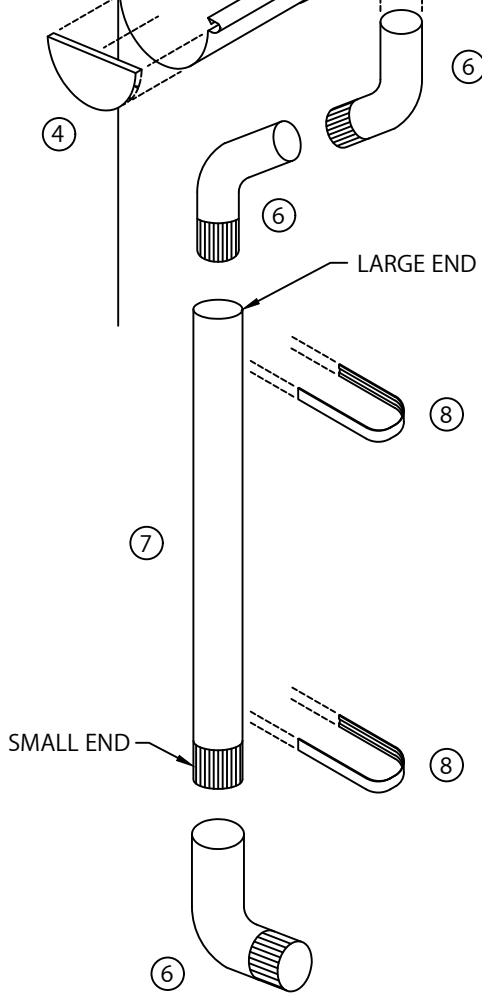
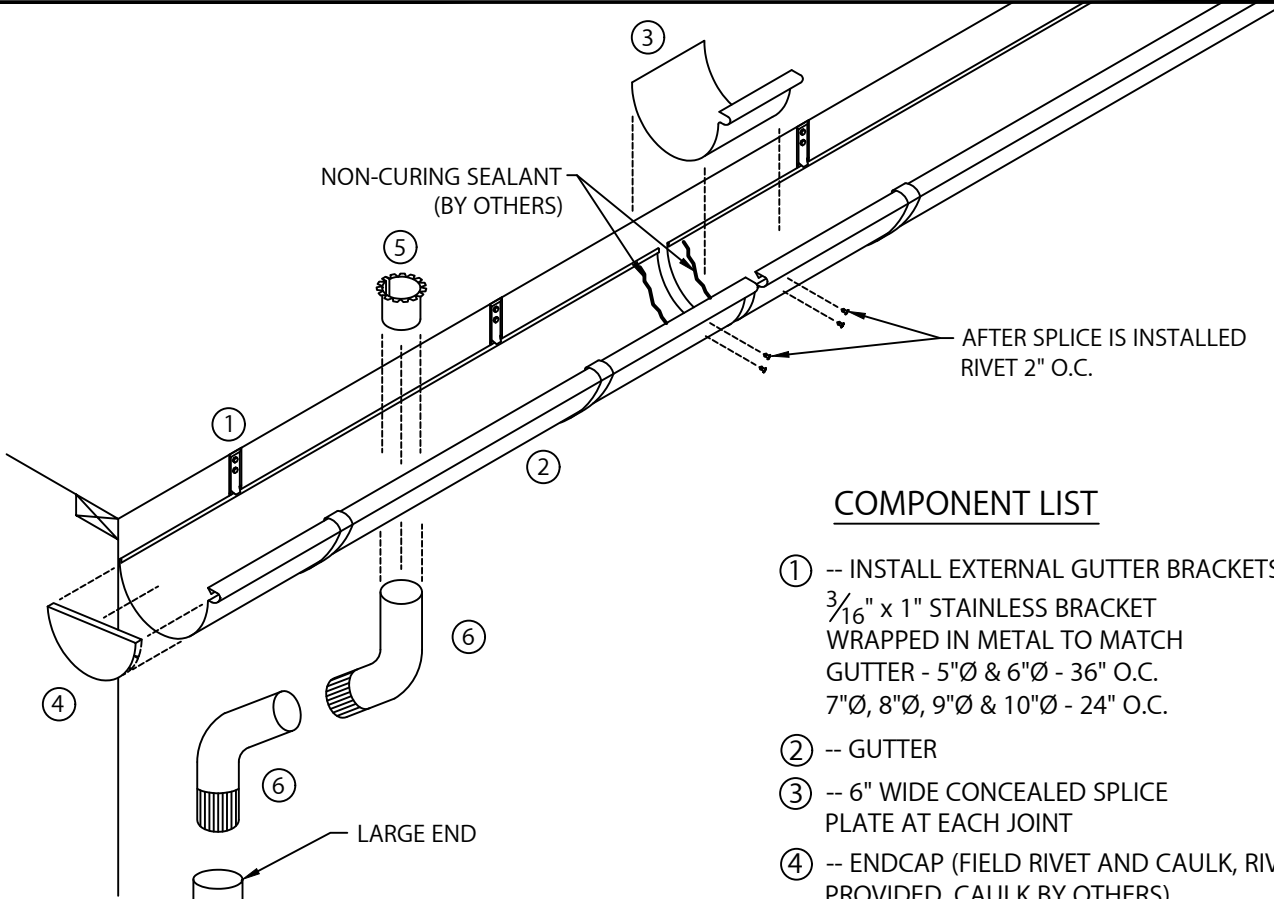


# HALF ROUND GUTTER

VERTICAL FASCIA, SPLICE PLATE VERSION

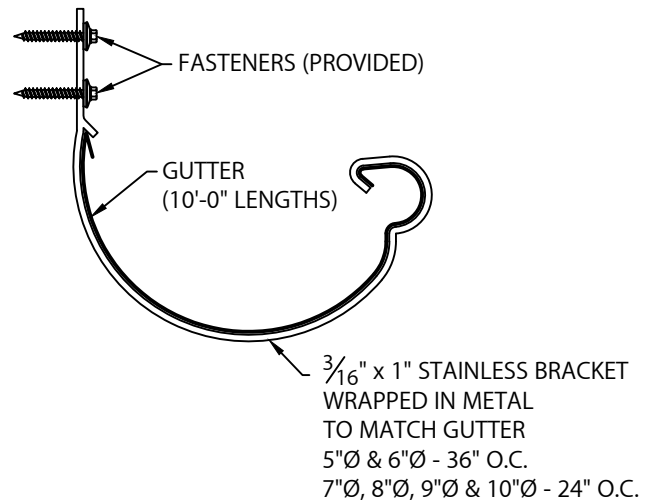
INSTALLATION INSTRUCTIONS



## COMPONENT LIST

- ① -- INSTALL EXTERNAL GUTTER BRACKETS FIRST  
3/16" x 1" STAINLESS BRACKET  
WRAPPED IN METAL TO MATCH  
GUTTER - 5"Ø & 6"Ø - 36" O.C.  
7"Ø, 8"Ø, 9"Ø & 10"Ø - 24" O.C.
- ② -- GUTTER
- ③ -- 6" WIDE CONCEALED SPLICE  
PLATE AT EACH JOINT
- ④ -- ENDCAP (FIELD RIVET AND CAULK, RIVETS  
PROVIDED, CAULK BY OTHERS)
- ⑤ -- OUTLET (FIELD RIVET AND CAULK, RIVETS  
PROVIDED, CAULK BY OTHERS)
- ⑥ -- ELBOWS (FIELD FASTEN, FASTENERS BY OTHERS)
- ⑦ -- DOWNSPOUT (FIELD FASTEN, FASTENERS BY OTHERS)
- ⑧ -- DOWNSPOUT STRAPS (2 PER LENGTH)

## TYPICAL ASSEMBLY



# HALF ROUND GUTTER

VERTICAL FASCIA, SPLICE PLATE VERSION

INSTALLATION INSTRUCTIONS

## INSTALLING GUTTER INTO EXTERNAL GUTTER BRACKET

