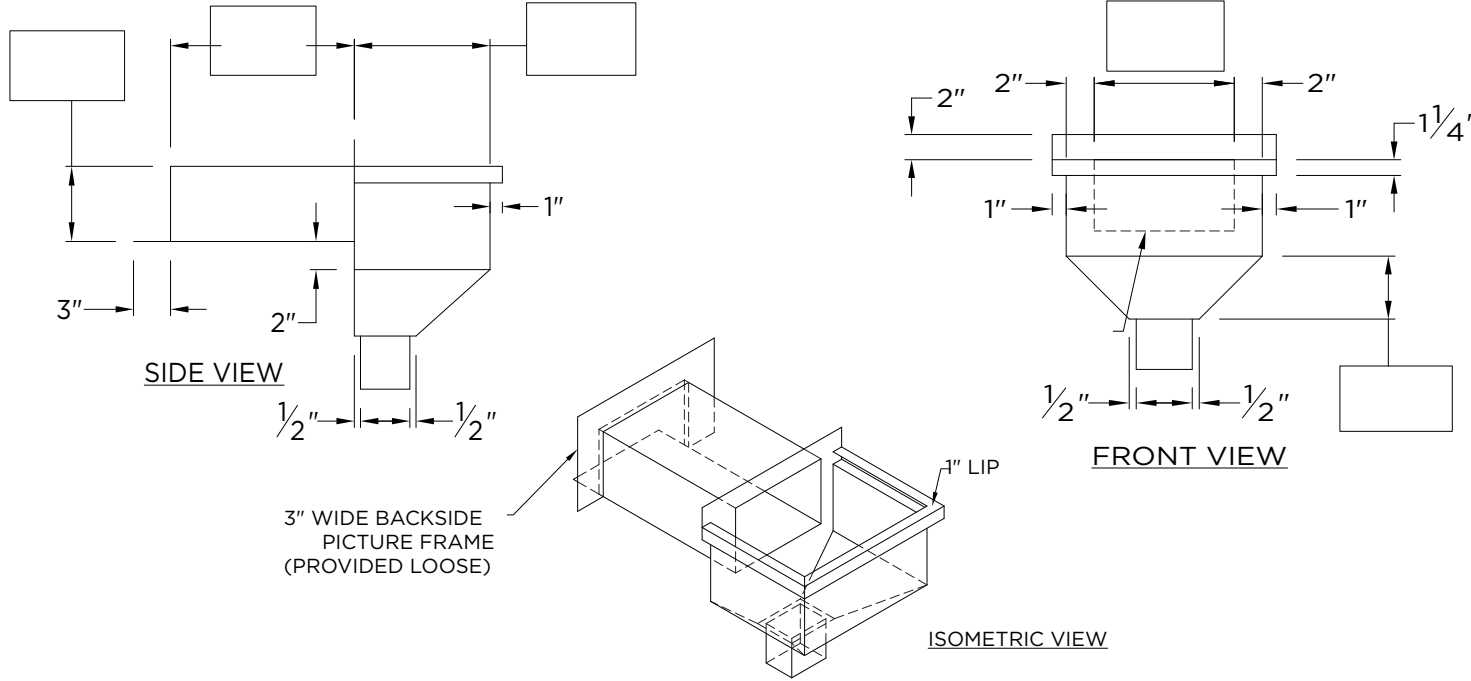


**WELDED SCUPPER-3 WITH RAISED CONDUCTOR HEAD**

**NOTES**

- Product should be installed per provided installation instructions



**DIMENSIONS**

PLEASE FILL OUT DIMENSIONS ON DRAWING

**MATERIAL**

.063" Aluminum

Color: \_\_\_\_\_

Finish: \_\_\_\_\_

**PROJECT INFO**

Project Name: \_\_\_\_\_

Architect: \_\_\_\_\_

Roofing Contractor: \_\_\_\_\_

**Project Type:**

By selecting this box you have verified and confirmed that dimensions, sizes, and quantities are correct. All products will be installed in strict accordance with printed instructions.

**QUANTITIES**

\_\_\_\_\_ Amount Required

Downspout Size \_\_\_\_\_ x \_\_\_\_\_

(Quantities Over 15 Require Extended Lead Time Due to Post Coating Process)

SHT# 1 of 1

DATE: 01/22/ 22

DRN BY: JJC

CKD BY: MM

DWG #: 64018-36803

REV: A

**Hickman Edge Systems**  
4 Commerce Way  
Arden, NC 28704  
Phone: 828-676-1700  
www.hickmanedgesystems.com