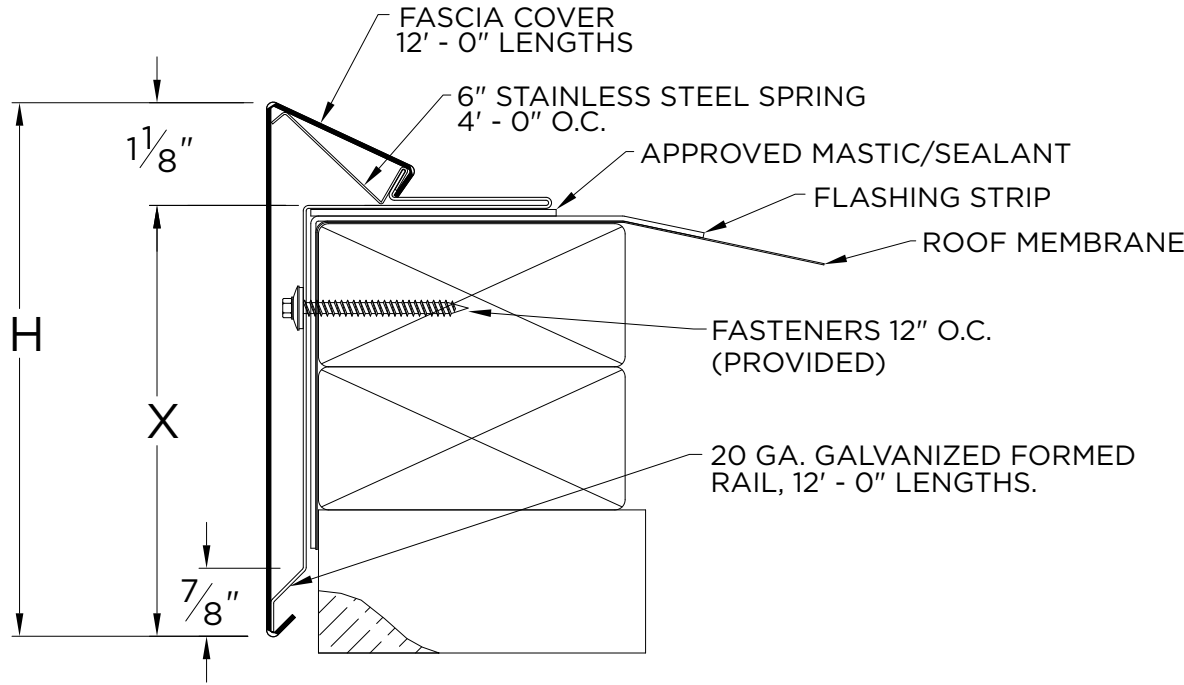


TERMINEDGE ONE MB FASCIA
BUILT-UP OR MODIFIED VERSION



NOTES

- Lap joint provided with 24 ga. 22 ga. .040"
- Splice plate provided with .050" and .063"
- Rail miters are not provided (cover only)
- For non-90 miters, see separate print approval
- Product should be installed per provided installation instructions
- ANSI/SPRI/FM 4435/ES-1 Test Pressure up to 419 psf (24 ga., 22 ga., .040")

APPROVALS



ANSI/SPRI/FM 4435/ES-1
Test Pressures listed in notes

PROJECT INFO

Project Name: _____

Architect: _____

Roofing Contractor: _____

Project Type:

By selecting this box you have verified and confirmed that dimensions, sizes, and quantities are correct. All products will be installed in strict accordance with printed instructions.

Date: _____

Hickman Edge Systems
4 Commerce Way
Arden, NC 28704
Phone: 828-676-1700
www.hickmanedgesystems.com

SHT# 1 of 1

DATE: 10/25/21

DRN BY: JJC

CKD BY: MM

DWG #: 64010-36623

REV: A

DIMENSIONS

PRODUCT ID. NO.	H DIM	X DIM	NAILER COVERAGE
<input type="checkbox"/> ESE-M50	5"	3 7/8"	2 NAILERS
<input type="checkbox"/> ESE-M65	6 1/2"	5 3/8"	3 NAILERS
<input type="checkbox"/> ESE-M80	8"	6 7/8"	4 NAILERS

MATERIAL

- 24 Ga. Galv. Steel
 - 22 Ga. Galv. Steel
 - .040" Aluminum
 - .050" Aluminum
 - .063" Aluminum
 - OTHER: _____
- Color: _____
Finish: _____
- Substrate:** Wood
If substrate is not given, wood fasteners will be provided. Masonry
 Metal

QUANTITIES

- _____ Lineal Feet (12'-0" Lengths)
- _____ Outside Miter (90°) (Cover Only)
- _____ Inside Miter (90°) (Cover Only)