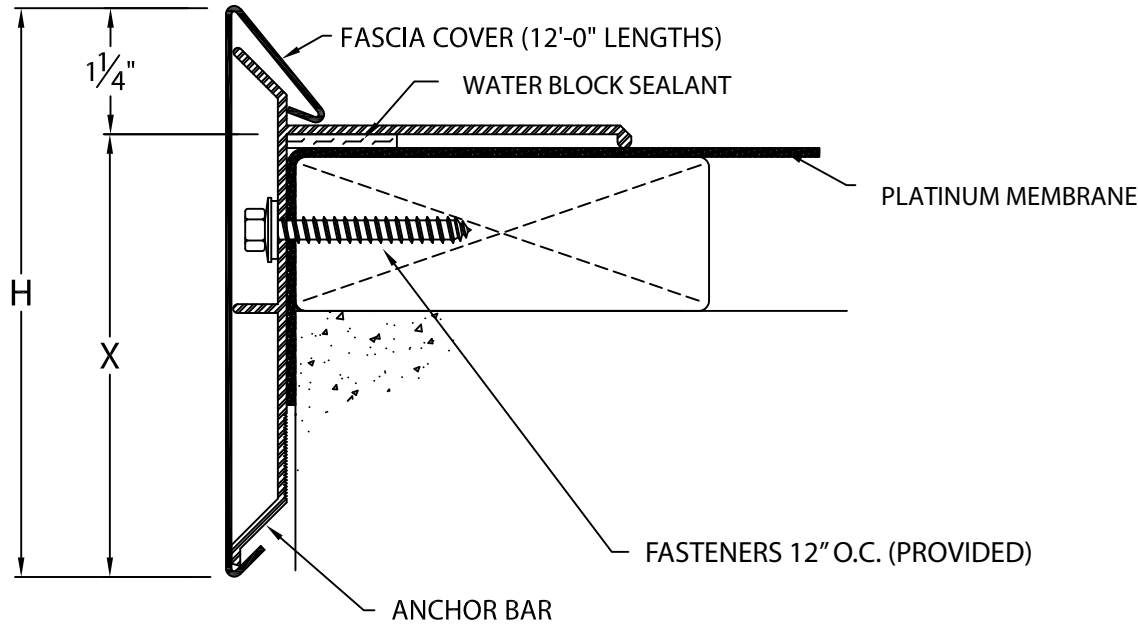




ELEVATE ANCHORGARD® PLATINUM FASCIA PLATINUM VERSION

NOTES

- For non-90 miters, see separate print approval
- Product should be installed per provided installation instructions
- ANSI/SPRI/FM 4435/ES-1 Test Pressure up to 275 psf.



APPROVALS



ANSI/SPRI/FM 4435/ES-1
Test Pressures listed in notes

PROJECT INFO

Project Name: _____

Architect: _____

Roofing Contractor: _____

Project Type:

By selecting this box you have verified and confirmed that dimensions, sizes, and quantities are correct. All products will be installed in strict accordance with printed instructions.

Date: _____

Elevate

26 Century Blvd.
Suite 205
Nashville, TN 37214
Contact your local
Elevate representative.

SHT# 1 of 1

DATE: 03/20/23

DRN BY: JJC

CKD BY: MM

DWG #: 13010-1102

REV: 0

DIMENSIONS

PRODUCT ID. NO.	H DIM	X DIM	NAILER COVERAGE
<input type="checkbox"/> AP-55	5 1/2"	4 1/4"	1 NAILER
<input type="checkbox"/> AP-70	7"	5 3/4"	2 NAILERS
<input type="checkbox"/> AP-85	8 1/2"	7 1/4"	4 NAILERS

MATERIAL

- 24 Ga. Galv. Steel
 22 Ga. Galv. Steel
 .040" Aluminum

Color: _____

Finish: _____

Substrate: Wood

Masonry

Metal

OTHER: _____

QUANTITIES

_____ Lineal Feet (12'-0" Lengths)

_____ Outside Miter (90°)

_____ Inside Miter (90°)