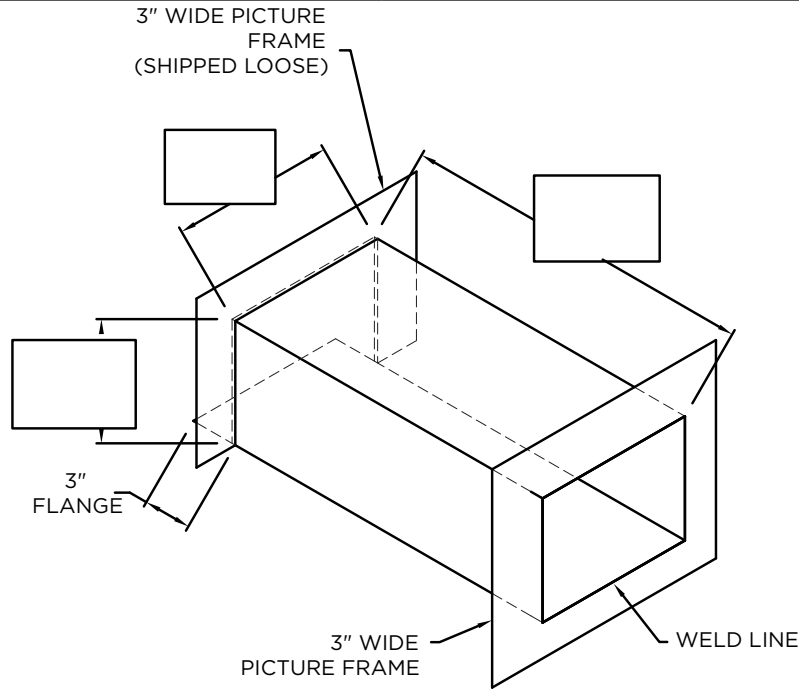


**THRU-WALL SCUPPER
WELDED**

NOTES

- Product should be installed per provided installation instructions



PROJECT INFO

Project Name: _____

Architect: _____

Roofing Contractor: _____

Project Type:

By selecting this box you have verified and confirmed that dimensions, sizes, and quantities are correct. All products will be installed in strict accordance with printed instructions.

SHT# 1 of 1

DATE: 01/22/ 22

Date: _____

DRN BY: JJC

CKD BY: MM

Hickman Edge Systems
4 Commerce Way
Arden, NC 28704
Phone: 828-676-1700
www.hickmanedgesystems.com

DWG #: 64018-36795

REV: A

DIMENSIONS

Please fill out dimensions on drawing.

MATERIAL

.063" Aluminum

Color: _____

Finish: _____

QUANTITIES

_____ Amount Required

(FOR WELDED ONLY: Quantities Over 15 Require Extended Lead Time Due to Post Coating Process)