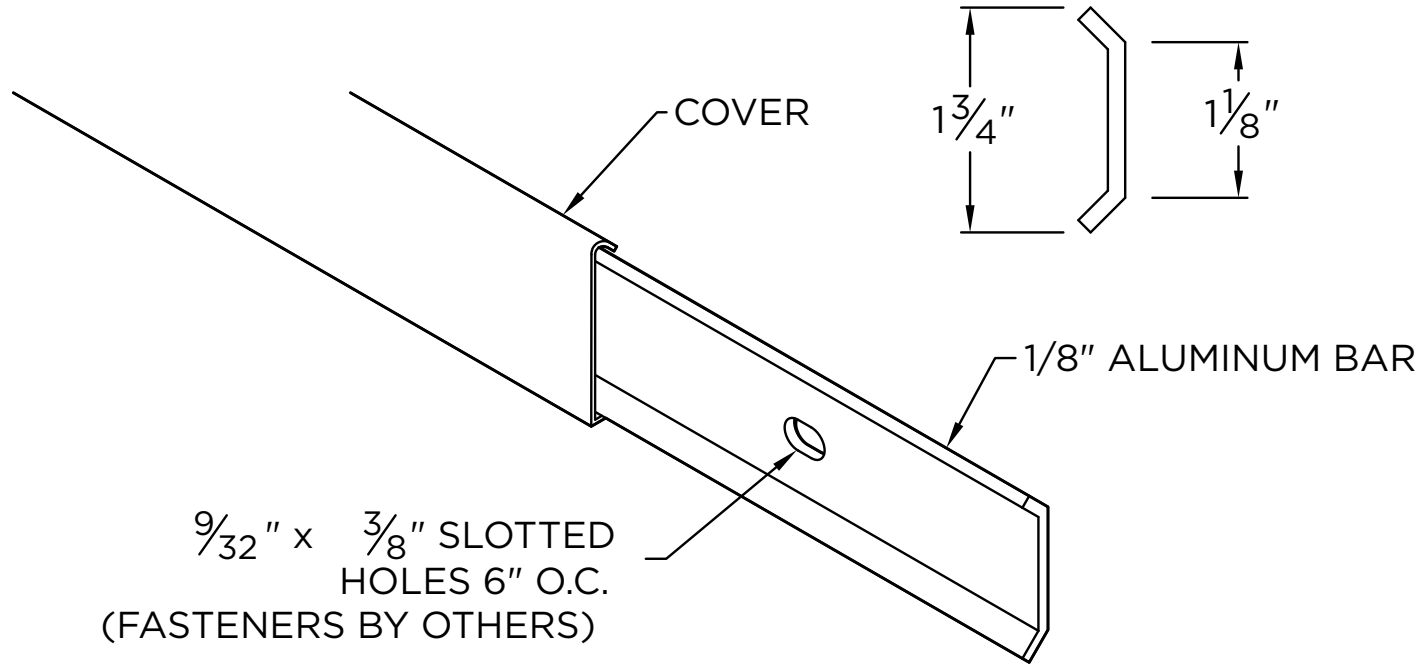


**SNAP-ON EX REGLET**

EXTRUDED BAR WITH COVER

**NOTES**

- Cover provided with lap joints
- ANSI/SPRI/FM 4435/ES-1 Test Pressure up to 460 psf



**APPROVALS**

**ANSI/SPRI/FM 4435/ES-1**  
Test Pressures listed in notes

**PROJECT INFO**

Project Name: \_\_\_\_\_

Architect: \_\_\_\_\_

Roofing Contractor: \_\_\_\_\_

**Project Type:**

By selecting this box you have verified and confirmed that dimensions, sizes, and quantities are correct. All products will be installed in strict accordance with printed instructions.

Date: \_\_\_\_\_

**Hickman Edge Systems**  
4 Commerce Way  
Arden, NC 28704  
Phone: 828-676-1700  
www.hickmanedgesystems.com

SHT# 1 of 1

DATE: 03/21/22

DRN BY: JJC

CKD BY: MM

DWG #: 64016-37163

REV: A

**MATERIAL**

**Bar Material (CB-175):** .125" Aluminium

**Cover Material (CF-175):**

- 24 Ga. Galv. Steel      Color: \_\_\_\_\_
- .040" Aluminum      Finish: \_\_\_\_\_

**QUANTITIES**

\_\_\_\_\_ Bar Lineal Feet (12'-0" Lengths)

\_\_\_\_\_ Cover Lineal Feet (12'-0" Lengths)