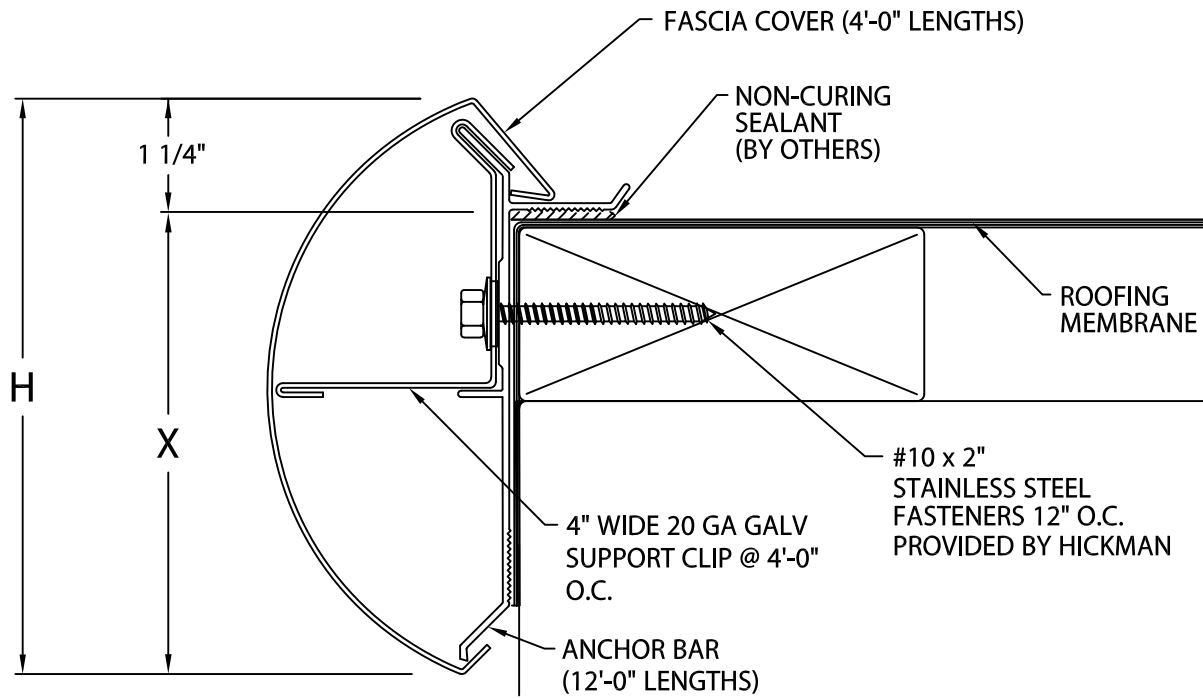


# CREATIVE DESIGN BULLNOSE FASCIA

FULLY ADHERED OR MECHANICALLY ATTACHED SINGLE-PLY VERSION

ANSI/SPRI ES-1 DESIGN PRESSURE OF 290 psf



## DESIGNER BULLNOSE FASCIA DIMENSIONS

PRODUCT ID. NO.	H DIM	X DIM	NAILER COVERAGE
<input type="checkbox"/> BAF-55	5 1/2"	4 1/4"	2 NAILERS
<input type="checkbox"/> BAF-70	7"	5 3/4"	3 NAILERS
<input type="checkbox"/> BAF-85	8 1/2"	7 1/4"	4 NAILERS

## MATERIAL:

\_\_\_ 22 GA. GALVANIZED STEEL

\_\_\_ .040" ALUMINUM

COLOR: \_\_\_\_\_

FINISH: \_\_\_\_\_

Fabrication will proceed only after receipt of signed print approval.

## Print Approval:

Architect and/or contractor shall verify all dimensions, sizes and quantities. All products to be installed in strict accordance with printed instructions.

Approved by: \_\_\_\_\_

Date: \_\_\_\_\_

## QUANTITIES:

\_\_\_\_\_ LINEAL FEET \*12'-0" LENGTHS

\*COVER SUPPLIED IN 4'-0" LENGTHS

\_\_\_\_\_ OUTSIDE MITERS @ 90°

\_\_\_\_\_ INSIDE MITERS @ 90°

\_\_\_\_\_ RIGHT ENDCAPS

\_\_\_\_\_ LEFT ENDCAPS

FOR NON-90° MITERS SEE SEPARATE PRINT APPROVAL

PROJECT:

ARCHITECT:

ROOFING CONTRACTOR:

REPRESENTATIVE/DISTRIBUTOR:

**Hickman Edge Systems**

**4 Commerce Way**

**Arden, NC 28704**

**Phone: 828-676-1700**

**www.hickmanedgesystems.com**

DATE: 08/11/22

SHT.# \_\_\_\_ OF \_\_\_\_

DRN BY: MLM

CKD BY: MM

DWG# 64010-36753

**A**

**HICKMAN**  
an MTL company